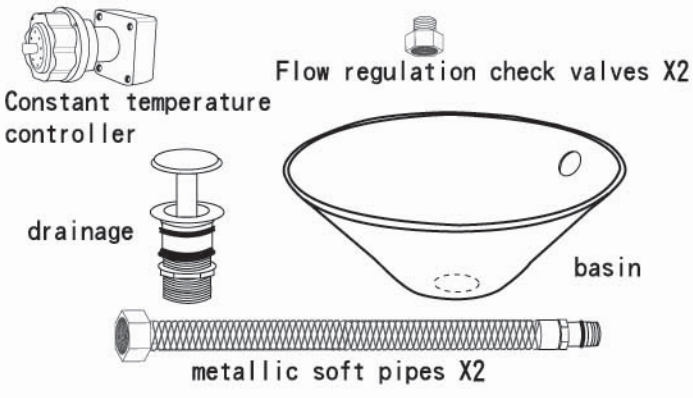


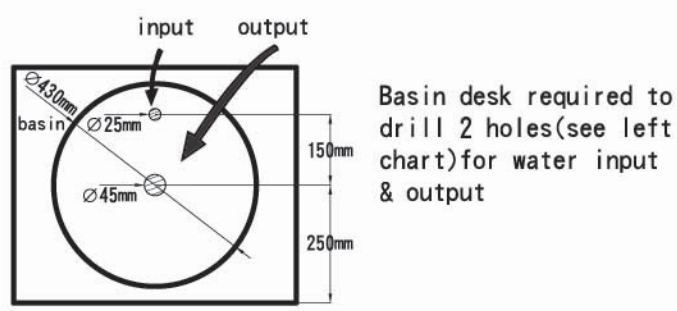
Hihippo Cold and Hot Water Art Basin Installation Instruction

- caution:**
1. Clean drainpipes before installation to make sure basin/one touch tap smoothly work.
 2. Beware of hot water's temperature to avoid scald.

1. ASSEMBLY PARTS

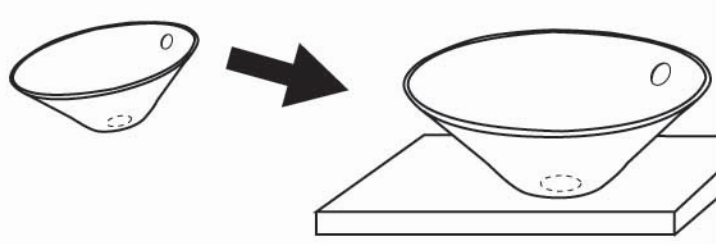


2. BASIN BASK INSTALLATION



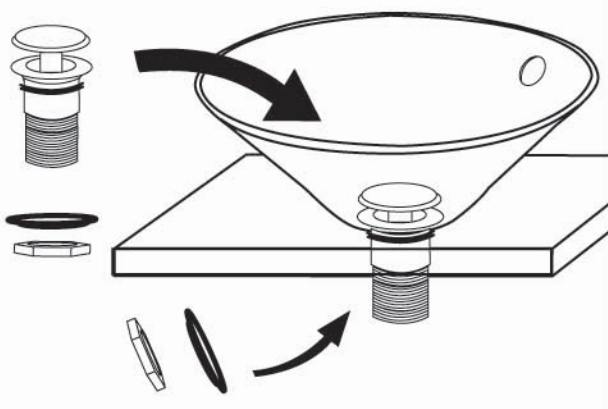
3. BASIN FIXING

Carefully remove basin on suitable location

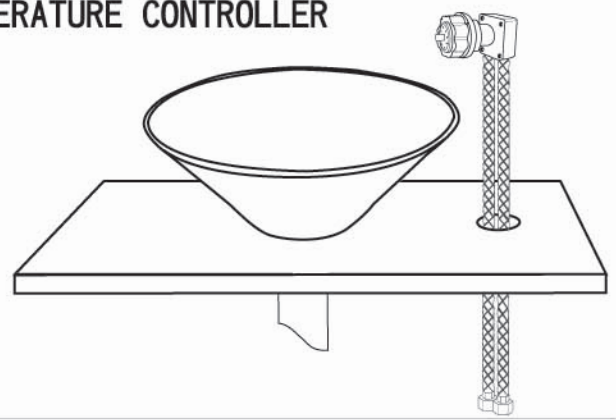


4. INSTALLATION FOR DRAINAGE

(1) Taking apart drainage and fixing it on basin as below chart

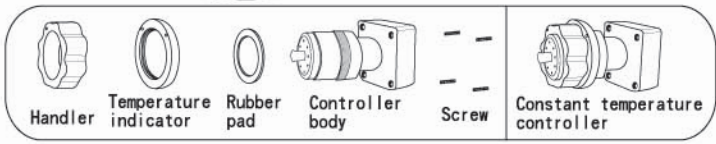
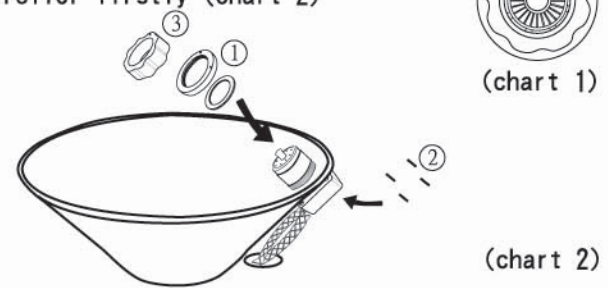


5. METALLIC SOFT PIPES & WATER TEMPERATURE CONTROLLER



6. FIXING FOR CONSTANT TEMPERATURE CONTROLLERS AND BASINS

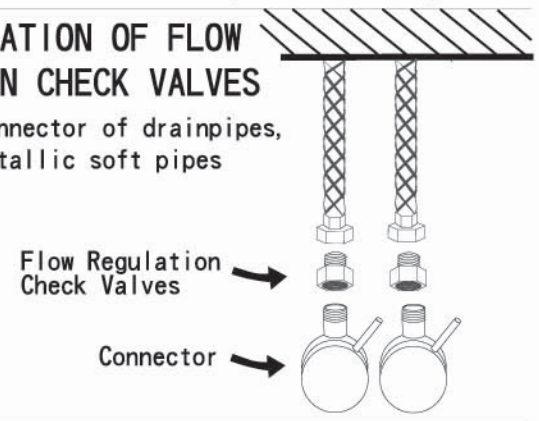
Take apart constant temperature controller firstly (chart 2)



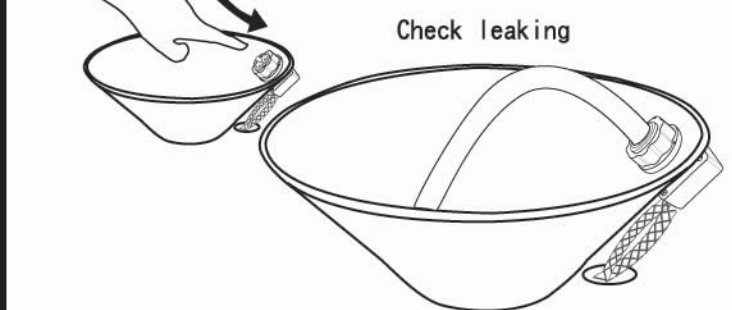
- ① Attach controller into basin's output, fasten rubber pad and temperature indicator
- ② Adjust temperature controller to left, accurately aim with temperature indicator, and fasten 4 screws to well fixed on basin (Caution: Don't fasten screw too tight for basin protection)
- ③ Attach controller's handler (Refer to chart 1)

7. INSTALLATION OF FLOW REGULATION CHECK VALVES

Attach on connector of drainpipes, and joint metallic soft pipes



8. TURN ON ONE TOUCH TAP COMPLETE INSTALLATION

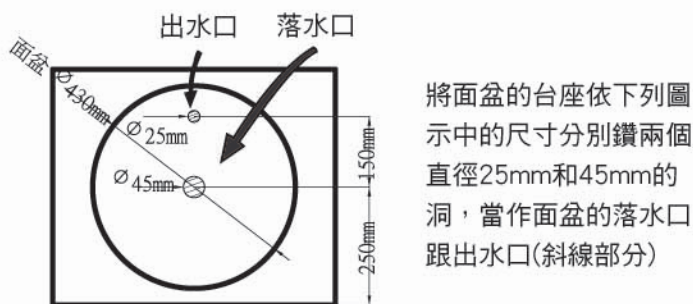


- 注意:**
1. 如果要安裝的場所是全新安裝的管道，或者重新裝修的場合，請先將管內的雜質沖洗乾淨，再安裝本產品，以免影響本產品的正常功能！
 2. 使用時請注意水溫避免燙傷

1. 清點面盆配件

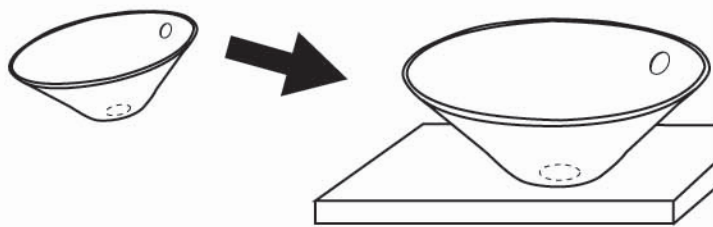


2. 準備面盆台座



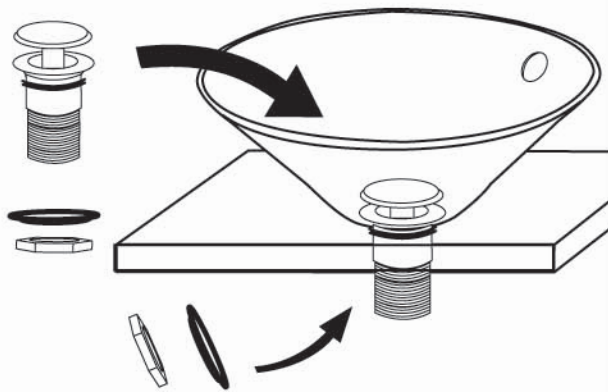
3. 固定面盆

把面盆移至將要裝置面盆的平台上

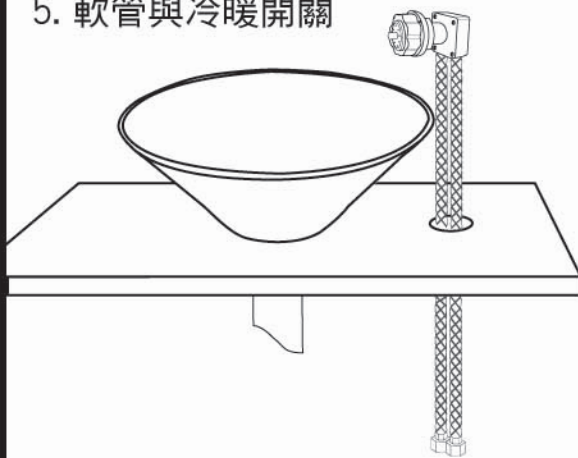


4. 裝設面盆落水系統

將落水頭拆解，裝在面盆上，再從平台底下將橡膠圈、螺帽鎖上

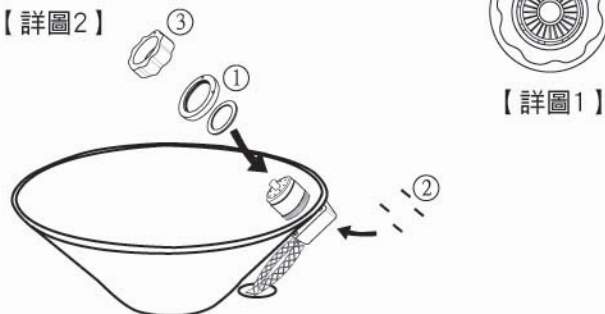


5. 軟管與冷暖開關

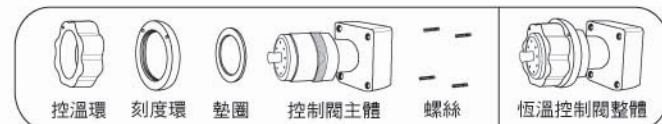


6. 面盆恆溫控制閥與面盆固定

首先必須先拆解【面盆恆溫控制閥整體】如【詳圖2】



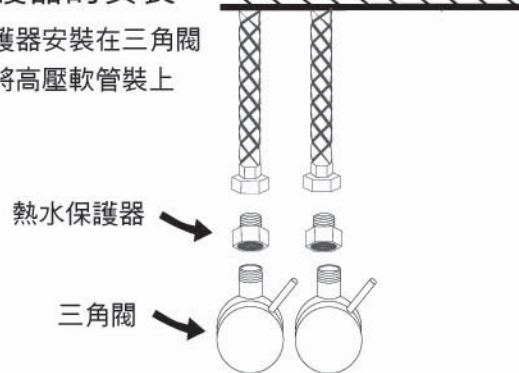
【詳圖2】



- ① 先將<控制閥主體>從面盆出水口往內套入，再將<墊圈>和<刻度環>鎖上
- ② 將溫度調到最右側，並對齊刻度後，所上控制閥主體後方的4個螺絲，使其固定於面盆(注意: 無需鎖太緊，以免損傷面盆)
- ③ 最後將<控溫環>依溝槽位置裝上！如<詳圖1>

7. 熱水保護器的安裝

先將熱水保護器安裝在三角閥上，然後再將高壓軟管裝上



8. 打開水-完成面盆裝置

檢查是否有漏水！

